

Cedar Cottage Doghouse Plans



Overlapping cedar shingles add an element of charm to this medium size doghouse. The walls, floor, and trim are constructed of solid cedar, making it naturally weather resistant and provides excellent insulation. An added benefit of cedar is that it is a natural insect repellent. It also features an easy lift off roof for easy cleaning.

Height (Including Roof)	32 1/2"
Width (Including Roof)	26 1/2"
Depth (Including Roof)	29"
Height (House Only)	30"
Width (Including Roof)	22 1/2"
Depth (Including Roof)	25"

Cedar Cottage Doghouse Plans

Table of Contents

Materials List	1
Floor & Wall Parts Drawings	2
Trim Parts Drawings	3
Gable Parts Drawings	4
Roof Parts Drawings	5
Drill the Screw Holes	6
Making the Shingles	7
Cutting the Spline Kerfs	8
Rounding Over the Edges	9
Top Door Trim Patterns	10
Assemble Floor	11
Assemble Back	12
Assemble Sides	13
Assemble Front	14
Door Opening Cutout	15
Attach Door Trim	16
Attach Front & Back to the Floor	17
Attach Sides	18
Attach Front & Rear Trim	19
Assemble Gables	20
Attach Shingles	21
Attach Rafters	22
Attach Gables	23
Attach Roof Filler Strip	24
Attach Roof Caps	25
Attach Roof Trim	26
Attach Roof Guides	27
Set the Roof in Place	28
Cutout Drawings	29

Cedar Cottage Doghouse Plans

Materials List

Page 1

Wood Parts

Except for the floor boards, all wood is 3/4" thick unless otherwise noted.

If your wood is thicker, use your table saw to cut it to the proper thickness before assembly.

Qty	Item Name	Size	Material
14	24" Siding Boards	24" x 2 1/4"	Cedar
9	21" Siding Boards	21 x 2 1/4"	Cedar
10	5" Siding Boards	5" x 2 1/4"	Cedar
1	Center Floor Board	22 1/2" x 7"	Cedar
2	Side Floor Boards	22 1/2"x 7"	Cedar
2	19" Floor Support	19" x 1 1/2"	Cedar
4	9 3/8" Floor Support	9 3/8" x 1 1/2"	Cedar
10	Wall Stud	15 3/4" x 1"	Cedar
2	Bottom Trim	19 1/2" x 2 1/4"	Cedar
4	Side Trim	18 3/4" x 1 1/2"	Cedar
4	Gable Trim	16" x 1 1/2"	Cedar
4	Legs	3" x 1 1/2"	Cedar
2	Door Side Trim	11 1/4" x 1" x 1/2"	Cedar
1	Door Top Trim	12 x 2 1/4"x 1/2"	Cedar
4	Roof Trim	18 5/8" x 1 1/2" x 1/2"	Cedar
2	Top Gable Board	4 1/2" x 2 1/4"	Cedar
2	2 nd Gable Board	9" x 2 1/4"	Cedar
2	3 rd Gable Board	13 1/2" x 2 1/4"	Cedar
2	4 th Gable Board	18" x 2 1/4"	Cedar
2	Bottom Gable Board	22 1/2"x 2 1/4"	Cedar
36	Full Shingles	7" x 4 1/4"	Cedar
8	Half Shingles	3 1/2" x 4 1/4"	Cedar
6	Long Shingle Spline	4 1/4" x 3/4" x 1/8"	Any Wood
28	Short Shingle Spline	3 1/4" x 3/4" x 1/8"	Any Wood
1	Roof Filler Strip	28" x 1" x 1"	Any Wood
1	Underlap Roof Cap	28" x 2" x 3/8"	Cedar
1	Overlap Roof Cap	28" x 2 3/8" x 3/8"	Cedar
4	Rafters	16" x 1"	Any Wood
4	Roof Guide	4 1/2" x 2"	Any Wood
2	Sub Roof	28" x 1/2"	Exterior Plywood

Cedar Cottage Doghouse Plans

Materials List

Page 1a

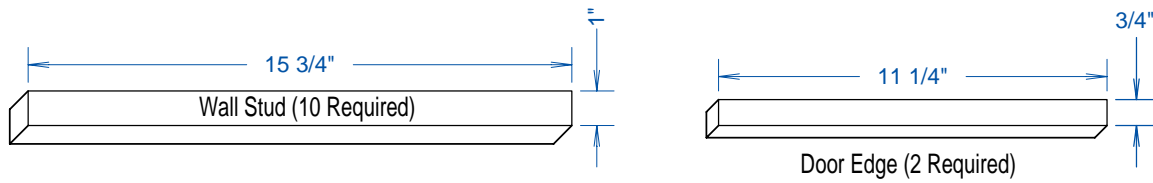
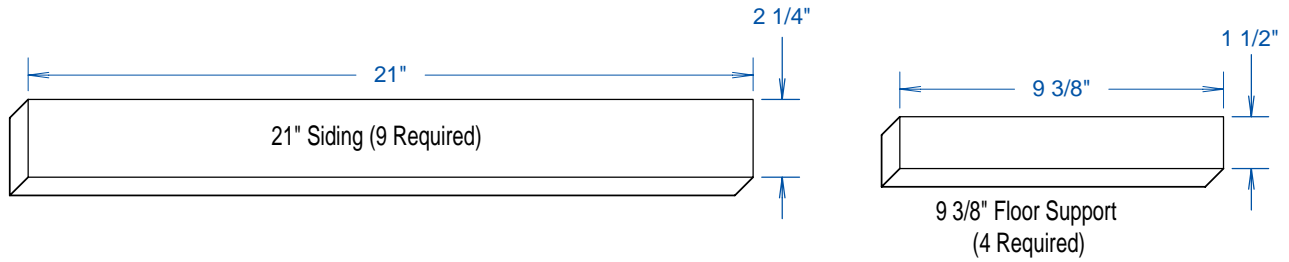
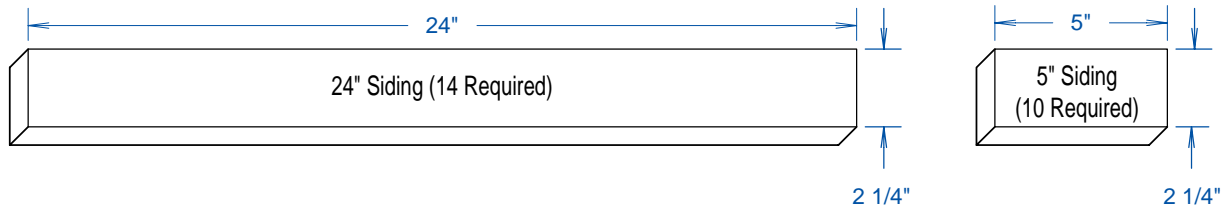
Hardware Required

Qty	Item Name	Size	Material
	Finishing Nails	1 1/2"	
	Finishing Nails	1 1/4"	
	Finishing Nails	1"	
132	Roofing Nails	7/8"	
8	Wood Screws	2"	Flat Head or Round Head
20	Wood Screws	1 1/2"	Flat Head or Round Head
4	Wood Screws	1 1/4"	Flat Head or Round Head
3	Tee Nuts	1/4" - 24 TPI	
3	Carriage Bolts	2" x 1/4" - 24 TPI	
3	Hex Head Bolts	1 1/2" x 1/4" - 24 TPI	
3	Nuts	1/4" - 24 TPI	
3	Flat Washers	1/4"	

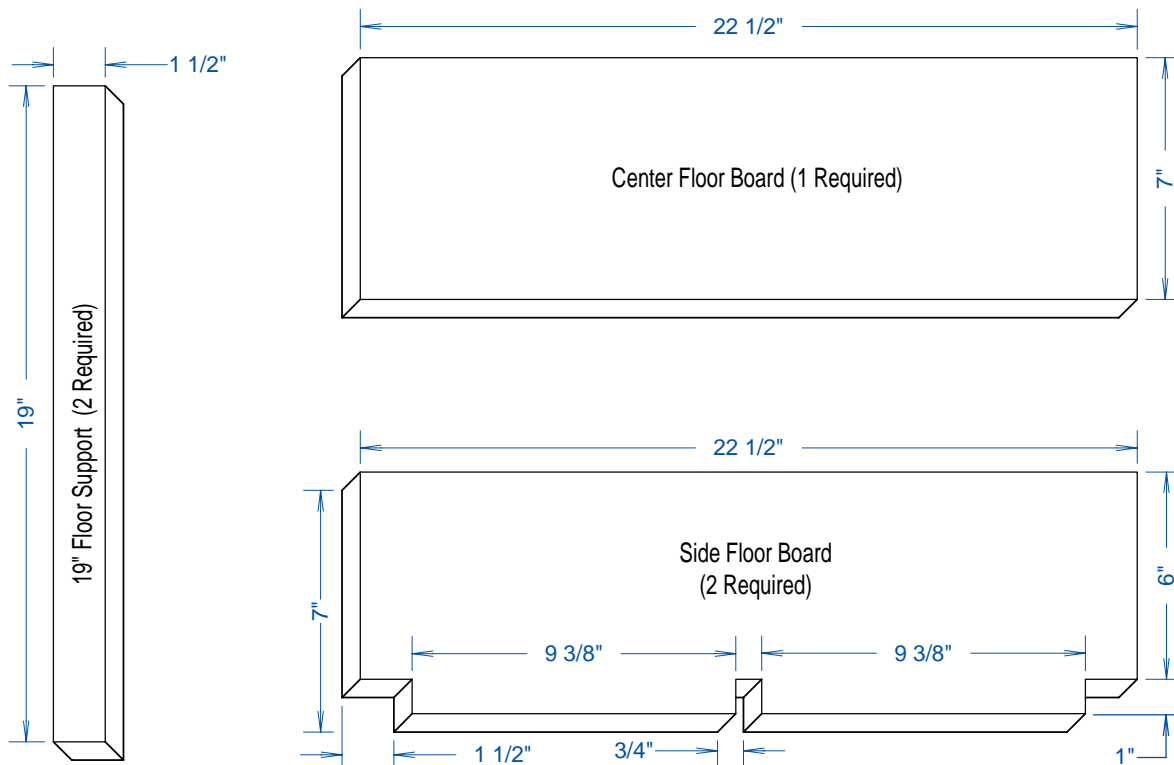
Cedar Cottage Doghouse Plans

Floor & Wall Parts Drawings

Page 2



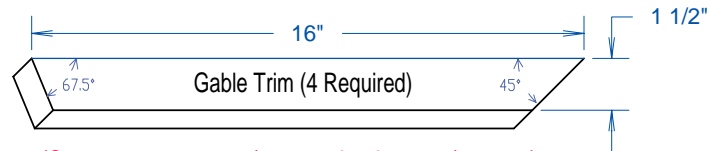
(Door Edge is 3/4" wide by 1/2" thick.)



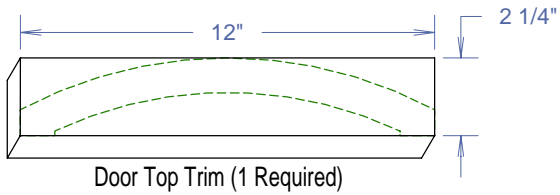
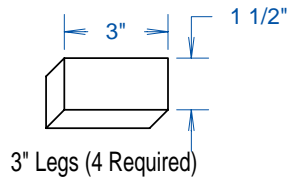
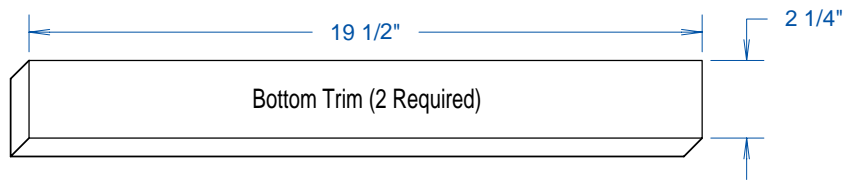
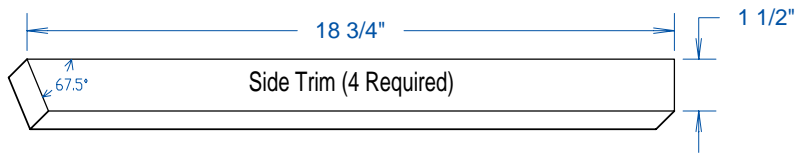
Cedar Cottage Doghouse Plans

Trim Parts Drawings

Page 3

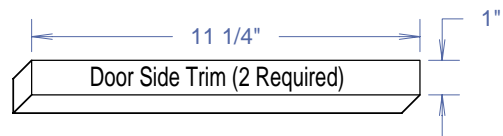


(Set your saw to 22 1/2° to make the 67 1/2° cuts.)

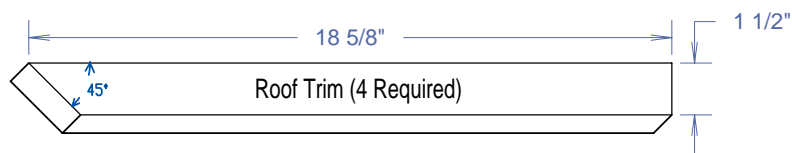


Door Top Trim (1 Required)

A full size pattern is provided for the Door Top Trim.



Door side and top trim parts are 1/2" thick.

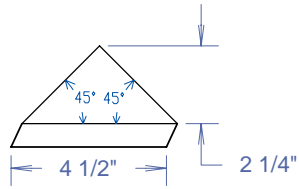


Roof Trim is 1/2" thick.

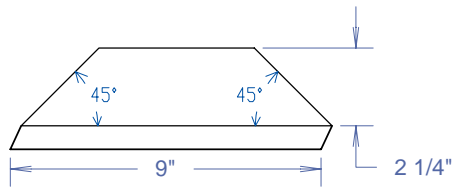
Cedar Cottage Doghouse Plans

Gable Parts Drawings

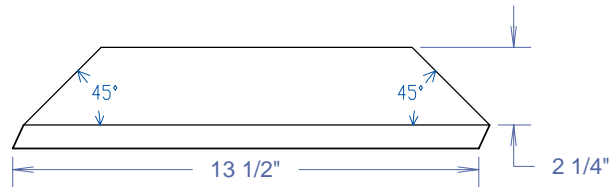
Page 4



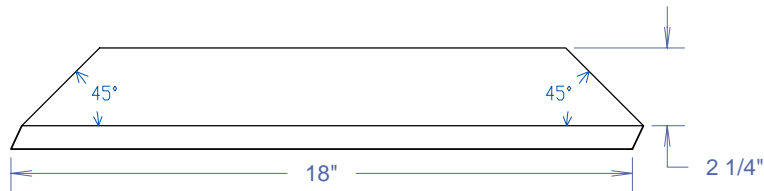
Top Gable Board (2 Required)



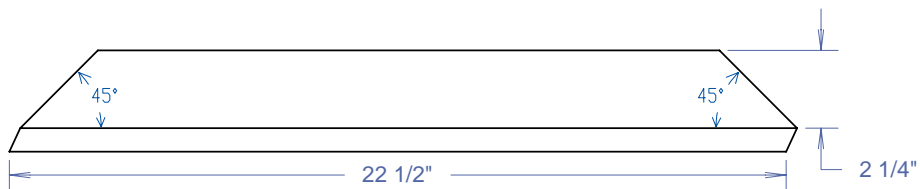
2nd Gable Board (2 Required)



3rd Gable Board (2 Required)



4th Gable Board (2 Required)

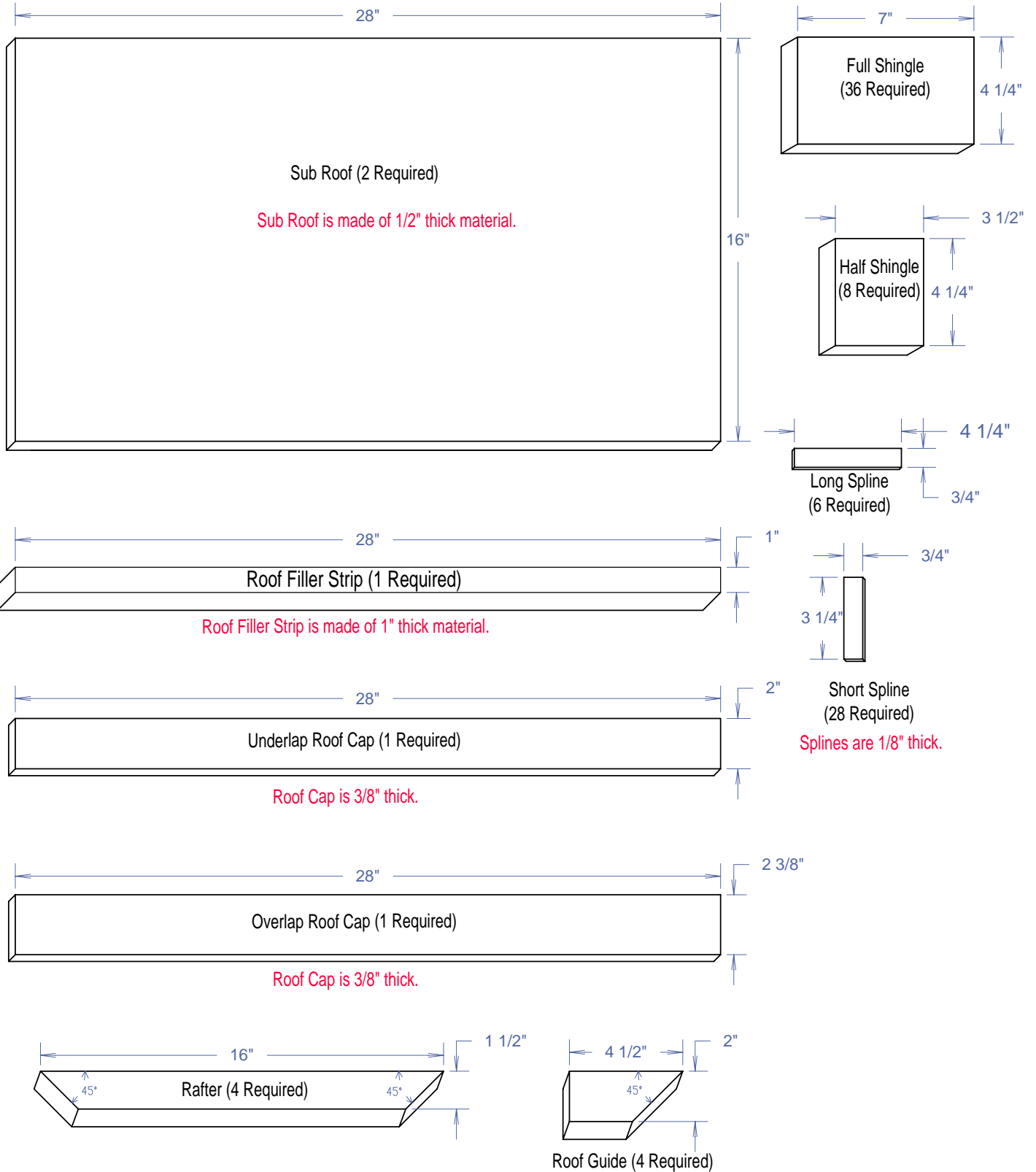


Bottom Gable Board (2 Required)

Cedar Cottage Doghouse Plans

Roof Parts Drawings

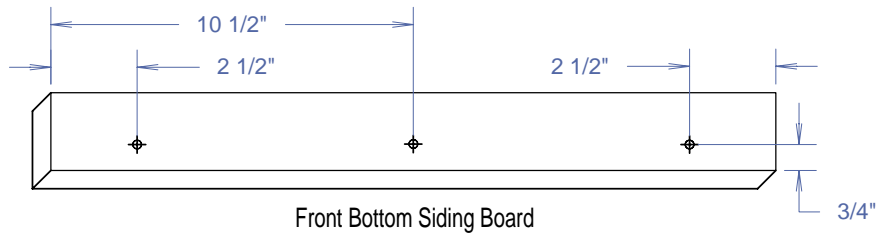
Page 5



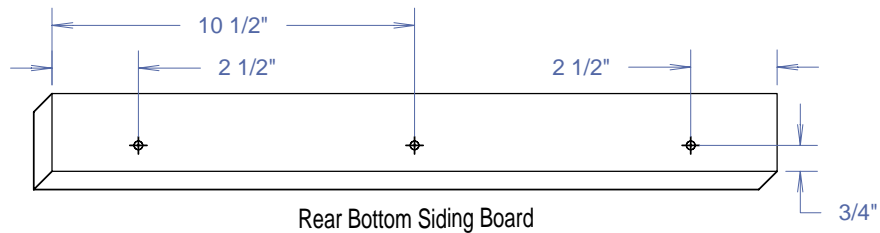
Cedar Cottage Doghouse Plans

Drill the Screw Holes

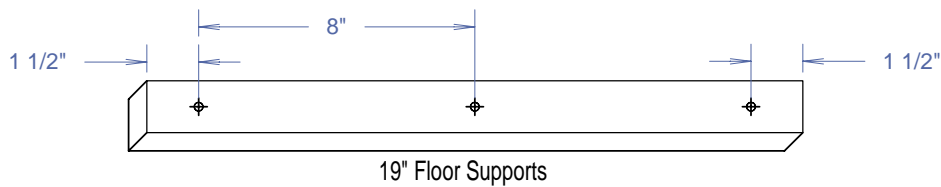
Page 6



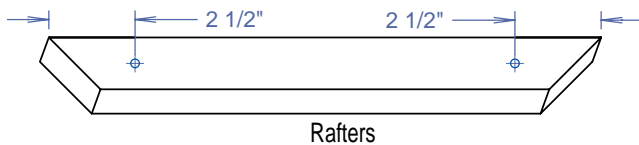
Drill three 5/16" diameter holes in one of the 21" siding boards as shown above. These holes will be for Tee Nuts.



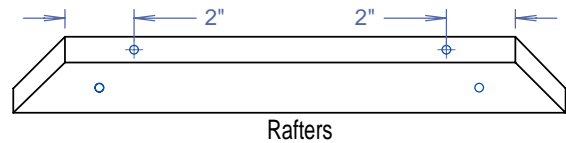
Drill three 1/4" diameter holes in one of the 21" siding boards as shown above. These holes will be for 1/4" bolts.



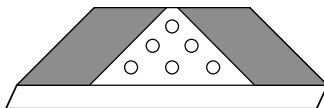
Drill three 1/4" diameter holes in each of the 19" floor supports as shown above.



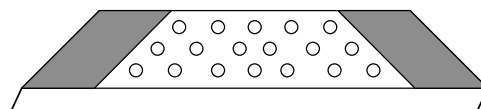
Drill two 3/16" diameter holes through the wide edge of the rafters as shown above.



Drill two 3/16" diameter holes through the narrow edge of each rafter as shown above.



2nd Gable Board (Rear Only)



3rd Gable Board (Rear Only)

Drill several 3/8" diameter vent holes in the 2nd and 3rd rear gable boards as shown above. The gray shaded areas represent the 1 1/2" wide gable trim.

Cedar Cottage Doghouse Plans

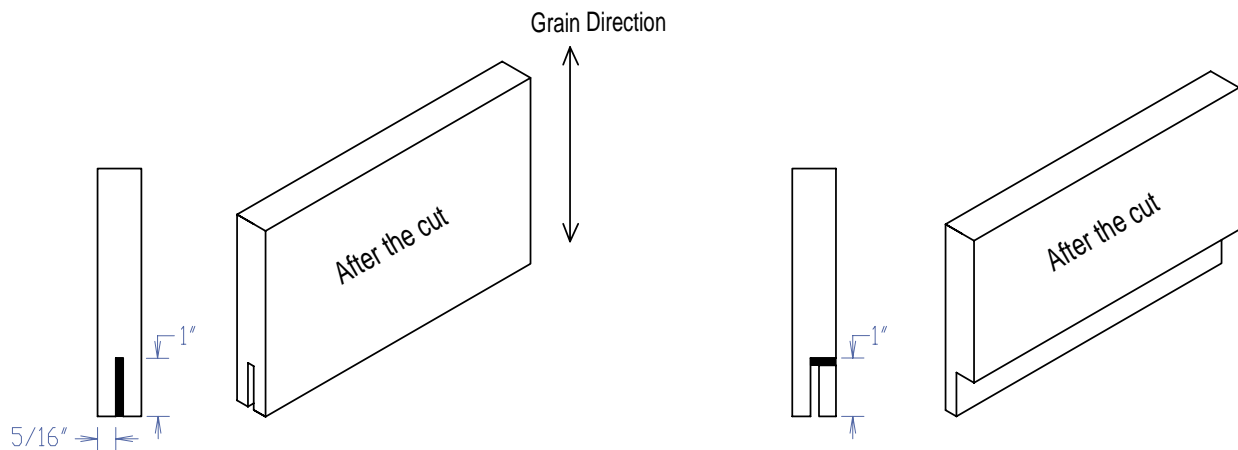
Making the Shingles

Page 7

To make the shingles, start by cutting forty-four 4 1/4" high pieces of wood from an 8" wide cedar board. (The actual width of the board will probably be between 7 1/4" and 7 1/2".)

Use your table saw to cut the shingles into the final shape as shown below. We make these cuts before cutting the shingles to the correct width because it's easier to make the cuts on longer pieces.) You'll need thirty-six 7" wide shingles and eight 3 1/2" wide ones.

The overlap notch is not needed on the bottom rows of shingles. Set eight shingles aside for the bottom rows and do not make the first two cuts on them. (These are 7" wide shingles.)



Step 1.

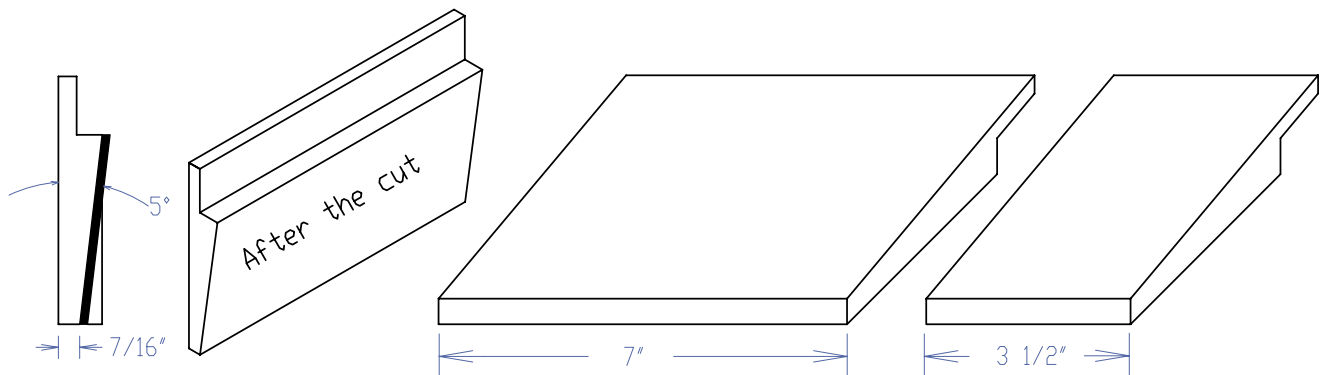
Make a 1" deep cut 5/16" from the edge of each piece as shown by the gray shaded area above.

Step 2.

Make a 7/16" deep cut 1" from the edge of each piece to complete the overlap notch as shown by the gray shaded area above.

Make the tapered cut on all shingles.

(The eight bottom row shingles are 7" wide.)



Step 3.

Set your table saw angle to 5° and make the tapered cut 7/16" from the edge of each piece as shown by the gray shaded area above.

Step 4.

Set your table saw angle back to 90° and cut thirty-six shingles 7" wide and eight shingles 3 1/2" wide.

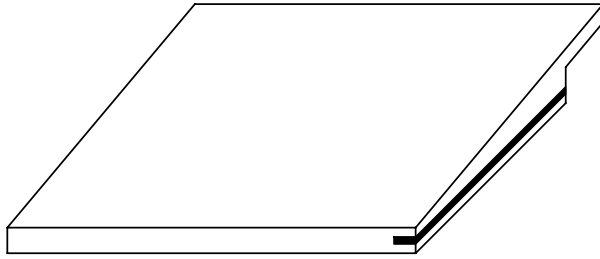
Cedar Cottage Doghouse Plans

Cutting the Spline Kerfs

Page 8

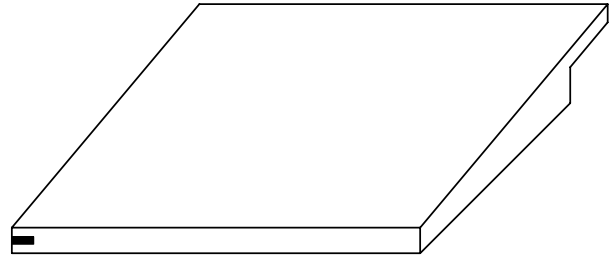
The splines are used between adjoining shingles to prevent leaks and for added strength.

Cut the 3/8" by 1/8" spline kerfs as shown by the gray shaded areas in the drawings below. These kerfs are 3/16" from the bottom and parallel to the bottom.



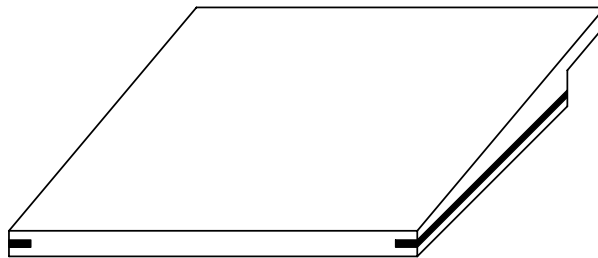
Full Shingle - Kerf on Right Side

(Six of these)



Full Shingle - Kerf on Left Side

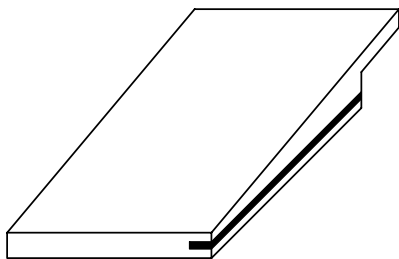
(Six of these)



Full Shingle - Kerf on Both Sides

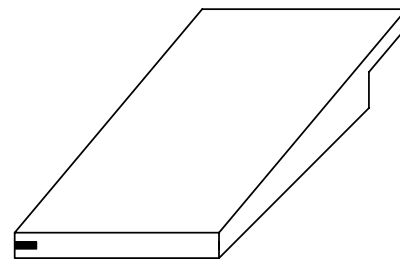
(Twenty-four of these)

The half shingles only used on the edges of the roof and therefore only require a single spline kerf.



Half Shingle Kerf on Right Side

(Four of these)



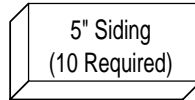
Half Shingle Kerf on Left Side

(Four of these)

Cedar Cottage Doghouse Plans

Rounding Over the Edges

Page 9

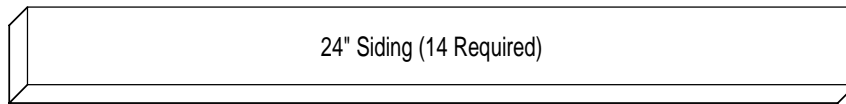


Eight pieces of the 5" siding need both top edges rounded.



Two pieces of the 5" siding need only one top edge rounded.

End View

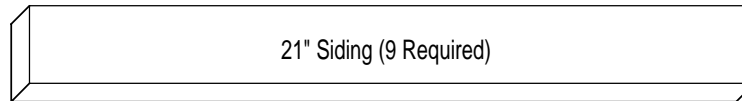


Twelve pieces of the 24" siding need both front edges rounded.



Two pieces of the 24" siding need only one front edge rounded.

End View



Six pieces of the 21" siding need both front edges rounded.

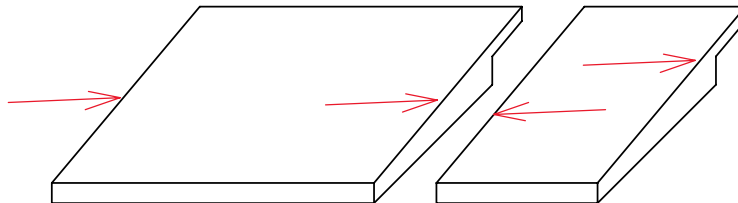


One piece of the 21" siding needs only one front edge rounded.



Two pieces of the 21" siding need neither of the front edges rounded.

End View

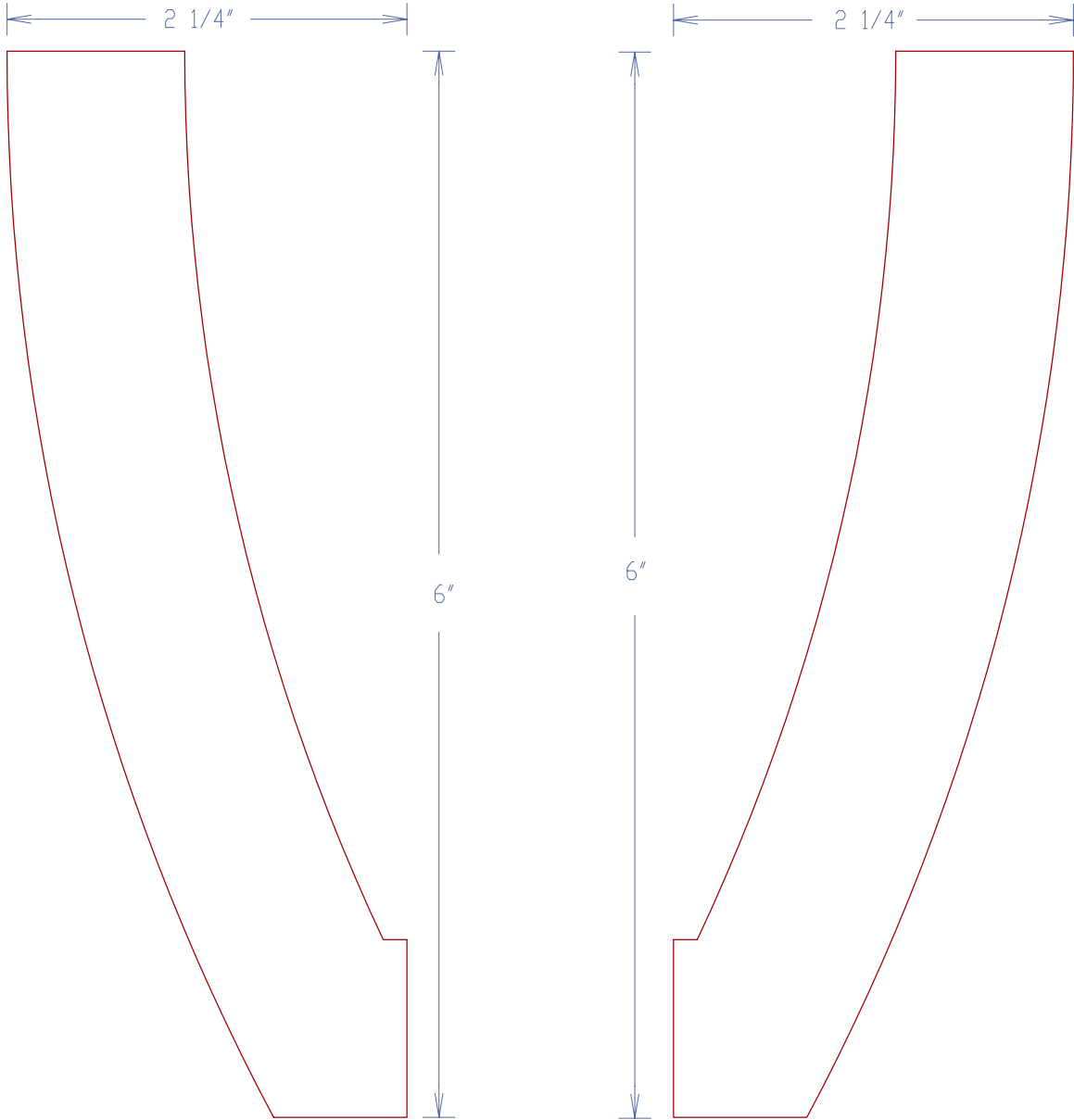


Round over the adjoining edges of the shingles with a 1/8" radius router bit.

Cedar Cottage Dog House Plans

Top Door Trim Patterns

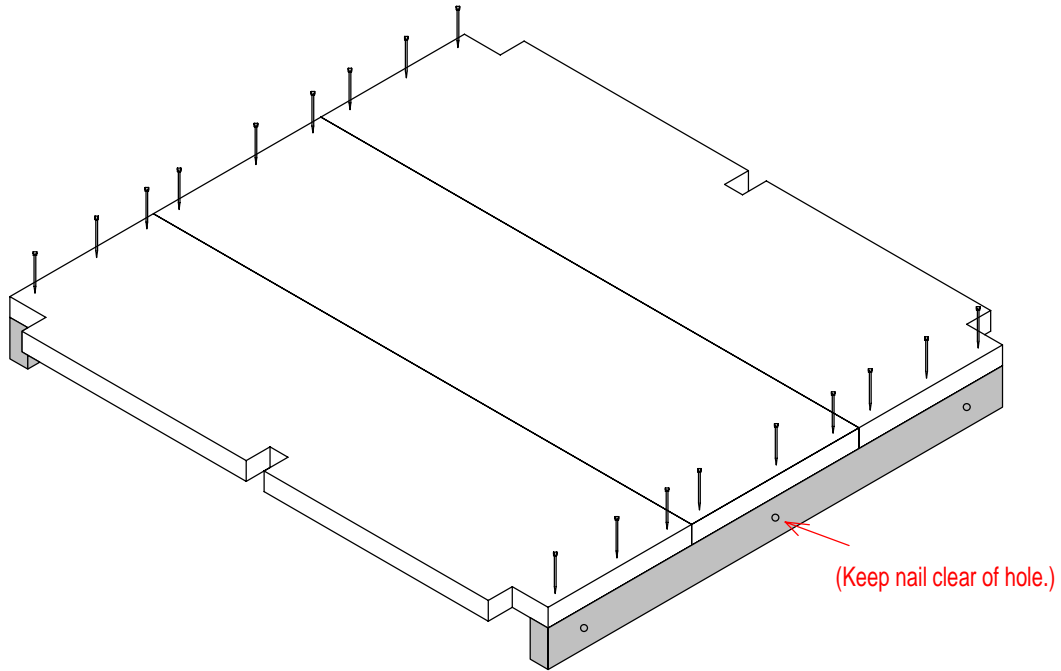
Page 10



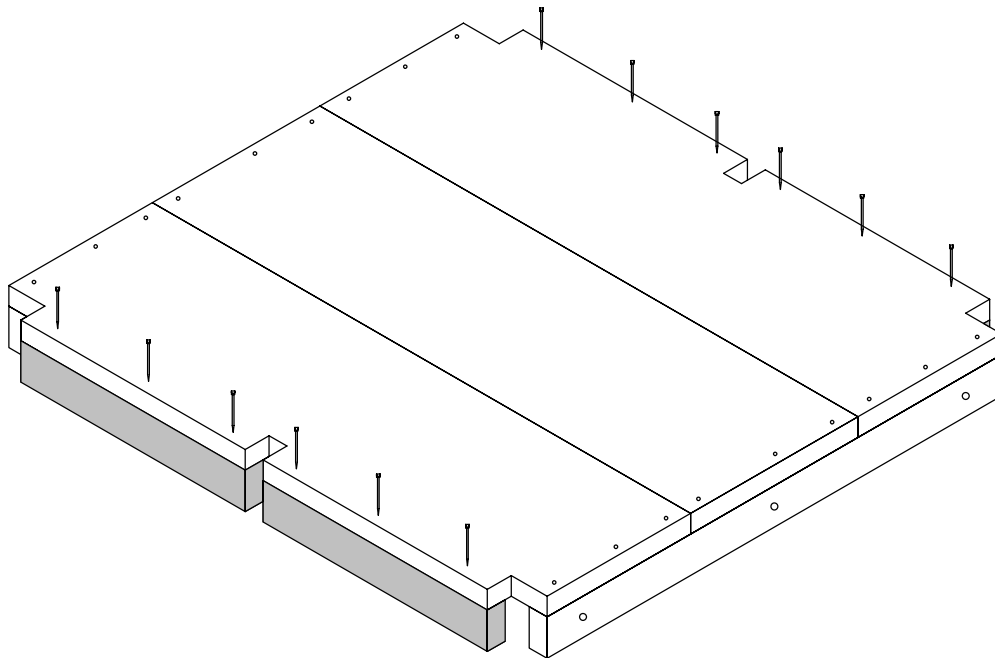
Cedar Cottage Doghouse Plans

Assemble Floor

Page 11



Assemble the floor boards and 19" floor supports as shown. Apply glue to mating surfaces between floor supports and floor boards. Secure with 1 1/2" finishing nails.

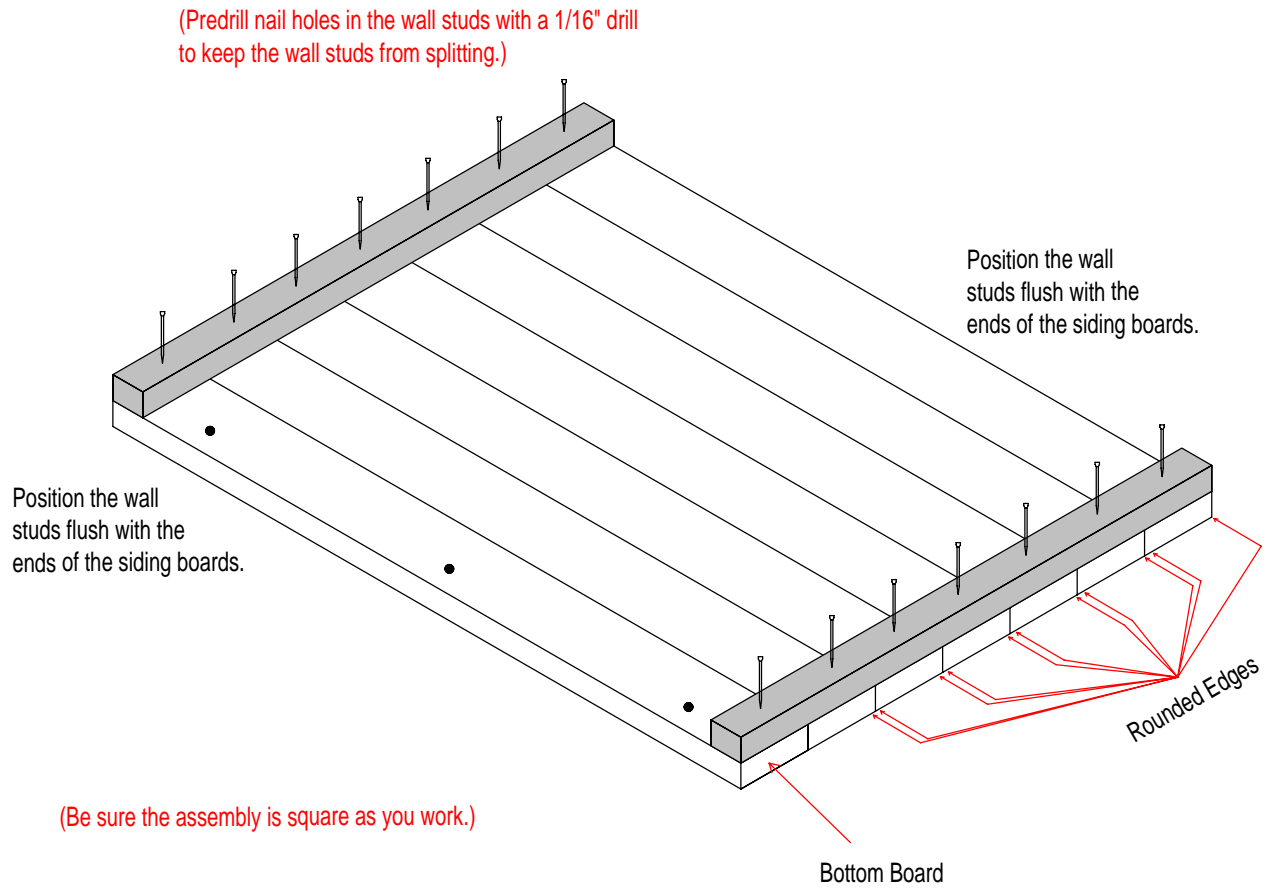


Apply glue and attach the 9 3/8" floor supports to the floor boards with 1 1/2" finishing nails.

Cedar Cottage Doghouse Plans

Assemble Back

Page 12



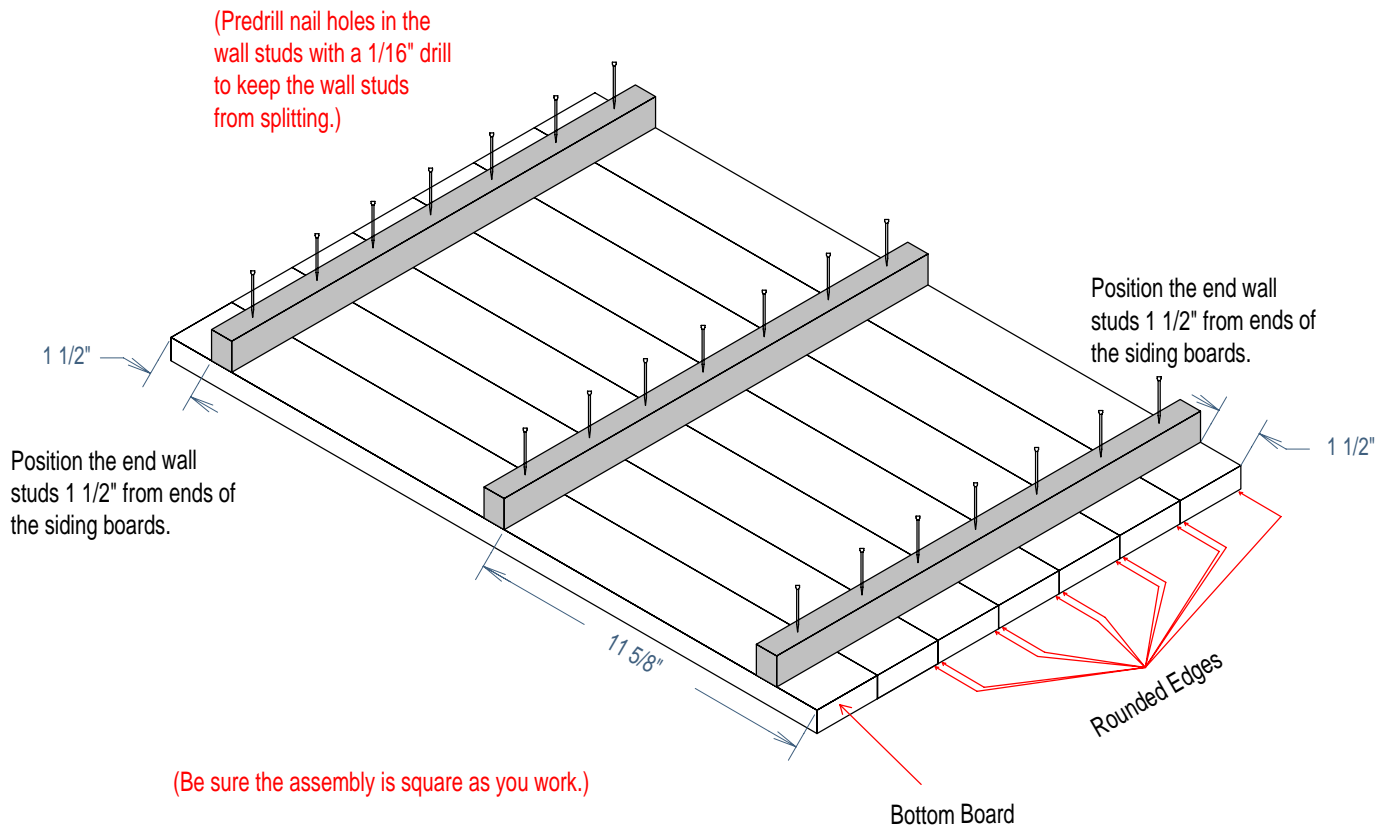
Apply glue to the surfaces of the wall studs and 21" siding boards where the wall studs contact the siding boards as shown. Secure with 1 1/4" finishing nails.

Use 1 1/4" nails. 1 1/2" nails may protrude past the front surface of the siding boards.

Cedar Cottage Doghouse Plans

Assemble Sides

Page 13



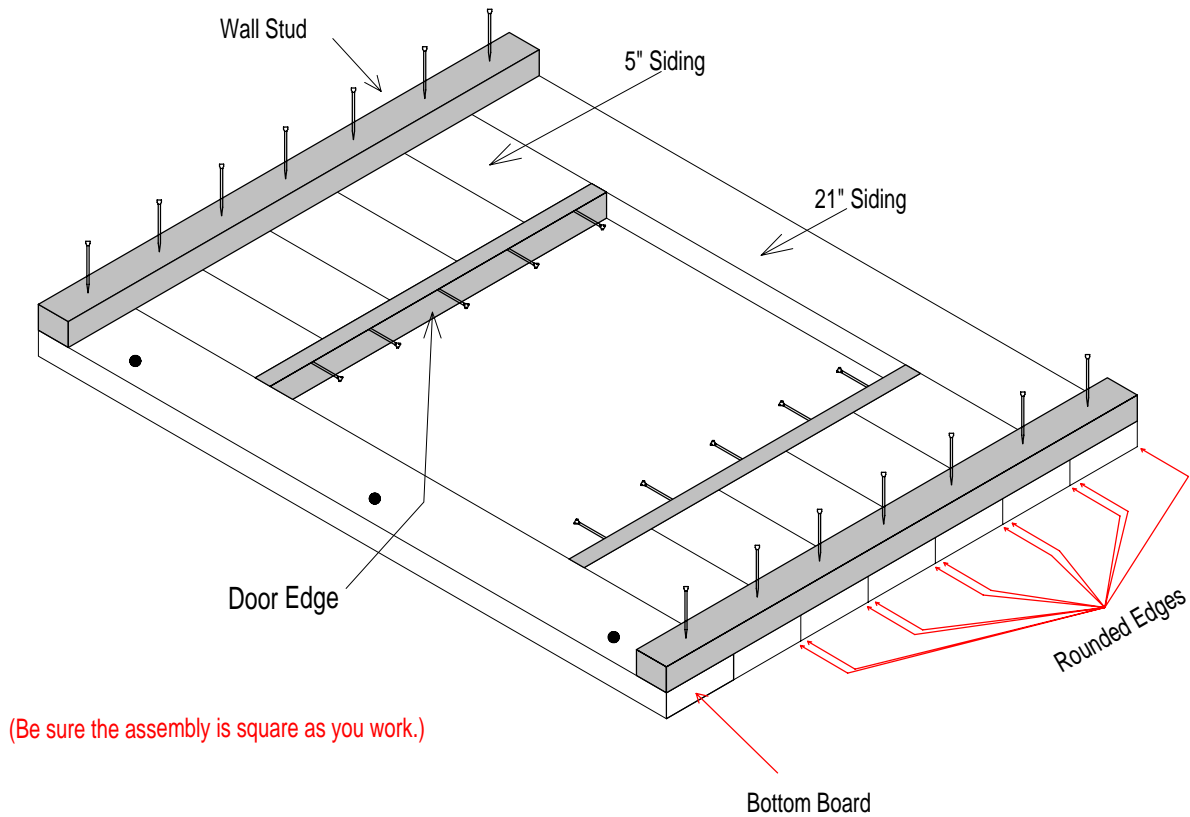
Apply glue to the surfaces of the wall studs and 24" siding boards where the wall studs contact the siding boards as shown. Secure with 1 1/4" finishing nails.

Use 1 1/4" nails. 1 1/2" nails may protrude past the front surface of the siding boards.

Cedar Cottage Doghouse Plans

Assemble Front

Page 14



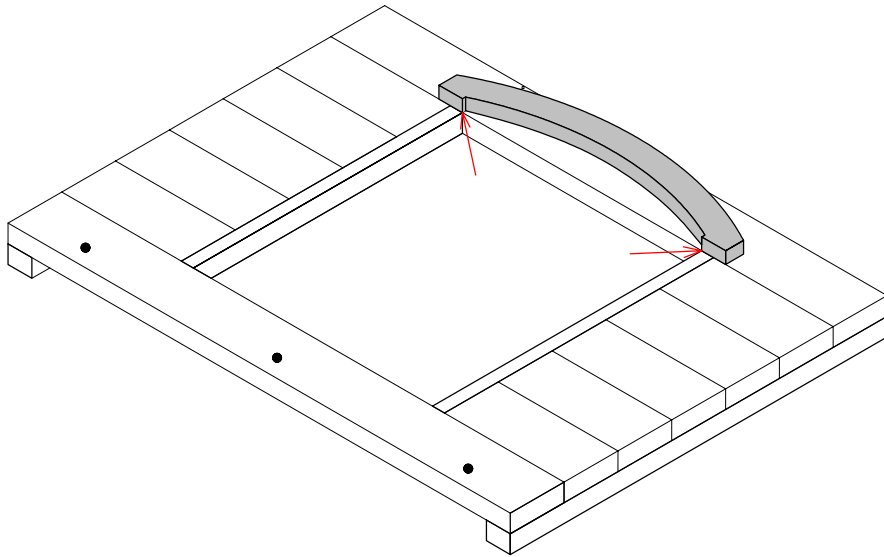
Arrange the 21" siding, 5" Siding, two wall studs, and the two door edges as shown. Apply glue to wall stud and door edge mating surfaces and secure the assembly with 1 1/4" finishing nails.

Use 1 1/4" nails. 1 1/2" nails may protrude past the front surface of the siding boards.

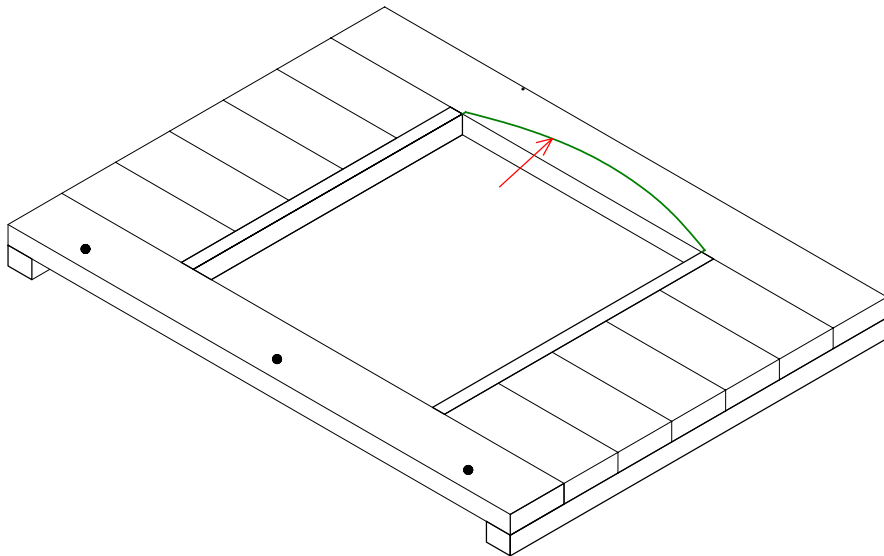
Cedar Cottage Doghouse Plans

Door Opening Cutout

Page 15



Position the top door trim with the bottom inside corners lined up with the door opening as shown above. Make a pencil mark along the bottom curved edge of the door trim.



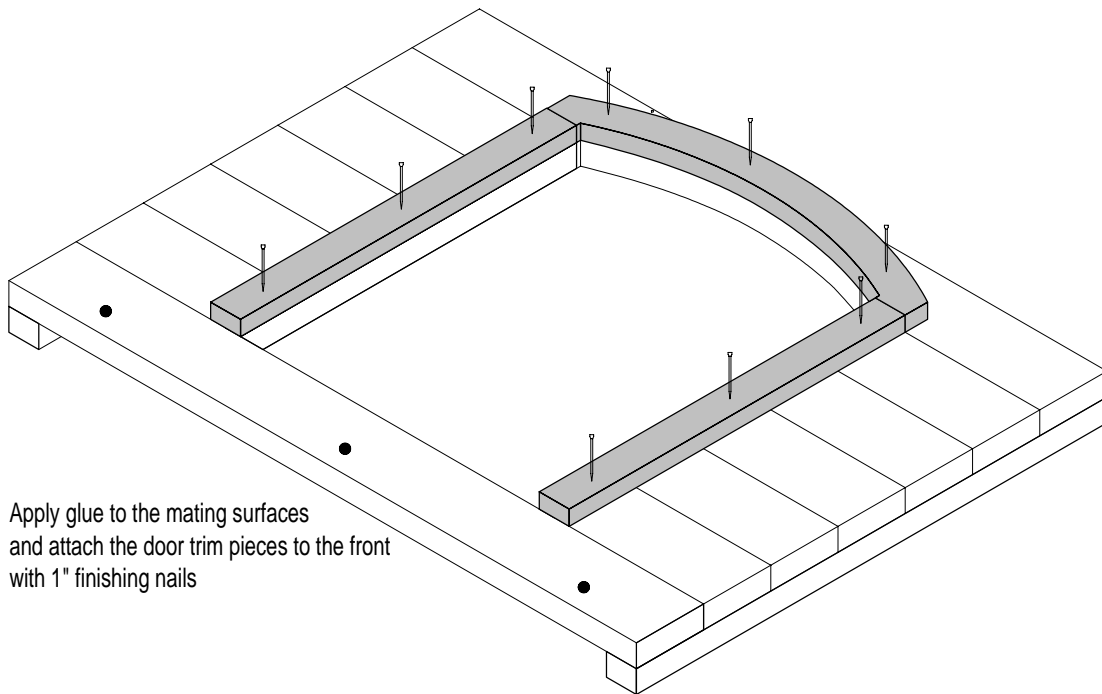
Use your jig saw with a fine tooth blade and cut along the pencil mark as indicated by the dotted line above. Make the cut just barely to bottom of the pencil mark. You can sand it to match the top trim after the trim is attached.

(When working with cedar, a metal cutting blade provides a smooth cut with minimum splintering.)

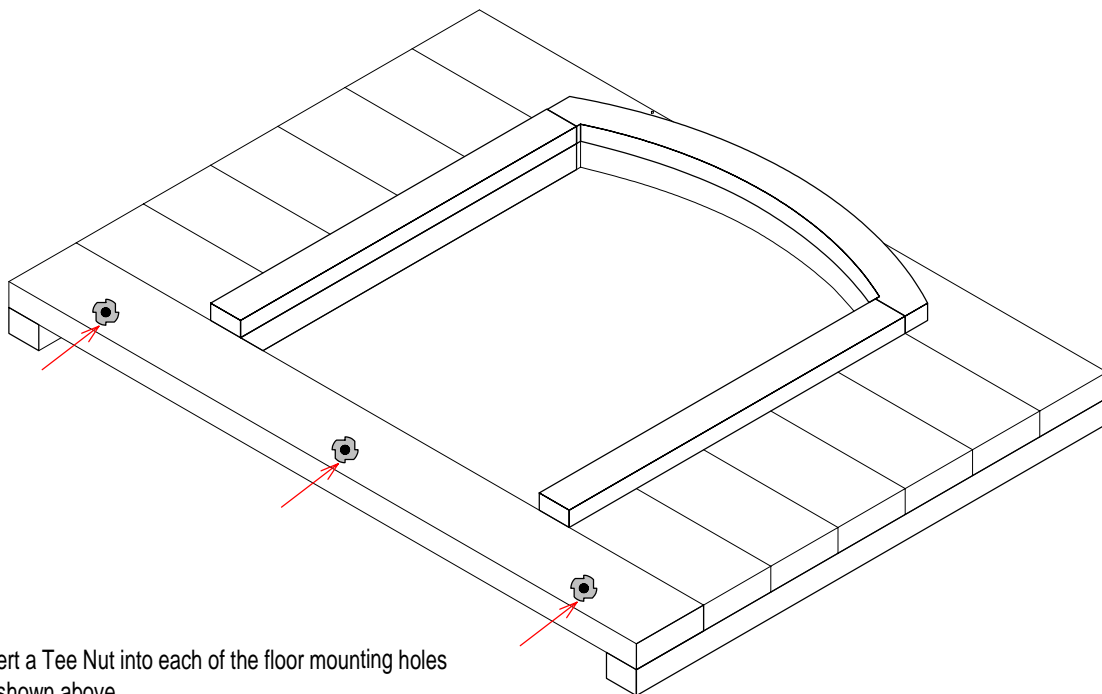
Cedar Cottage Doghouse Plans

Attach Door Trim

Page 16



Apply glue to the mating surfaces
and attach the door trim pieces to the front
with 1" finishing nails



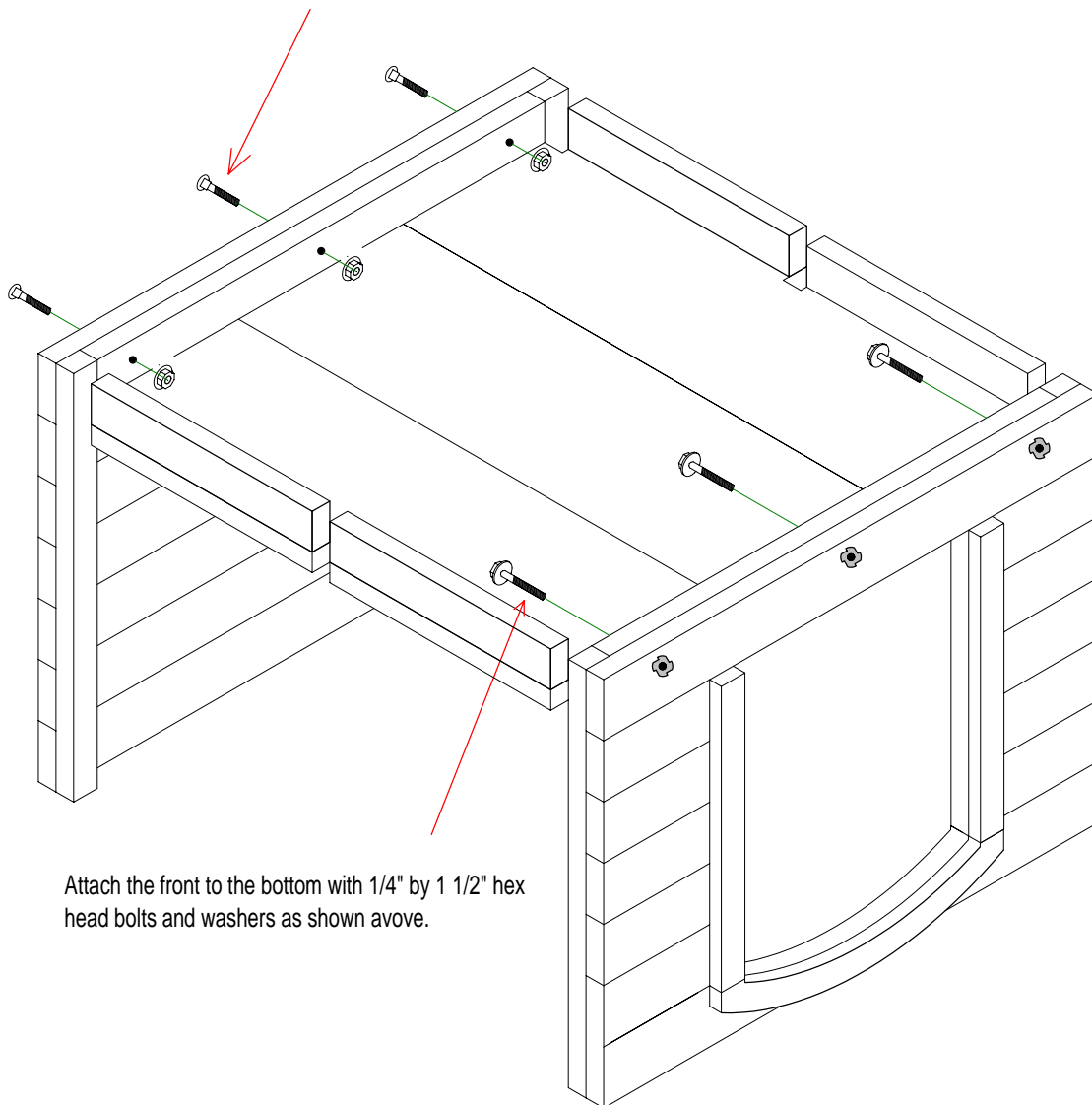
Insert a Tee Nut into each of the floor mounting holes
as shown above.

Cedar Cottage Doghouse Plans

Attach Front & Back to Floor

Page 17

Attach the back to the bottom with 1/4" by 2" carriage bolts, nuts, and washers as shown below.



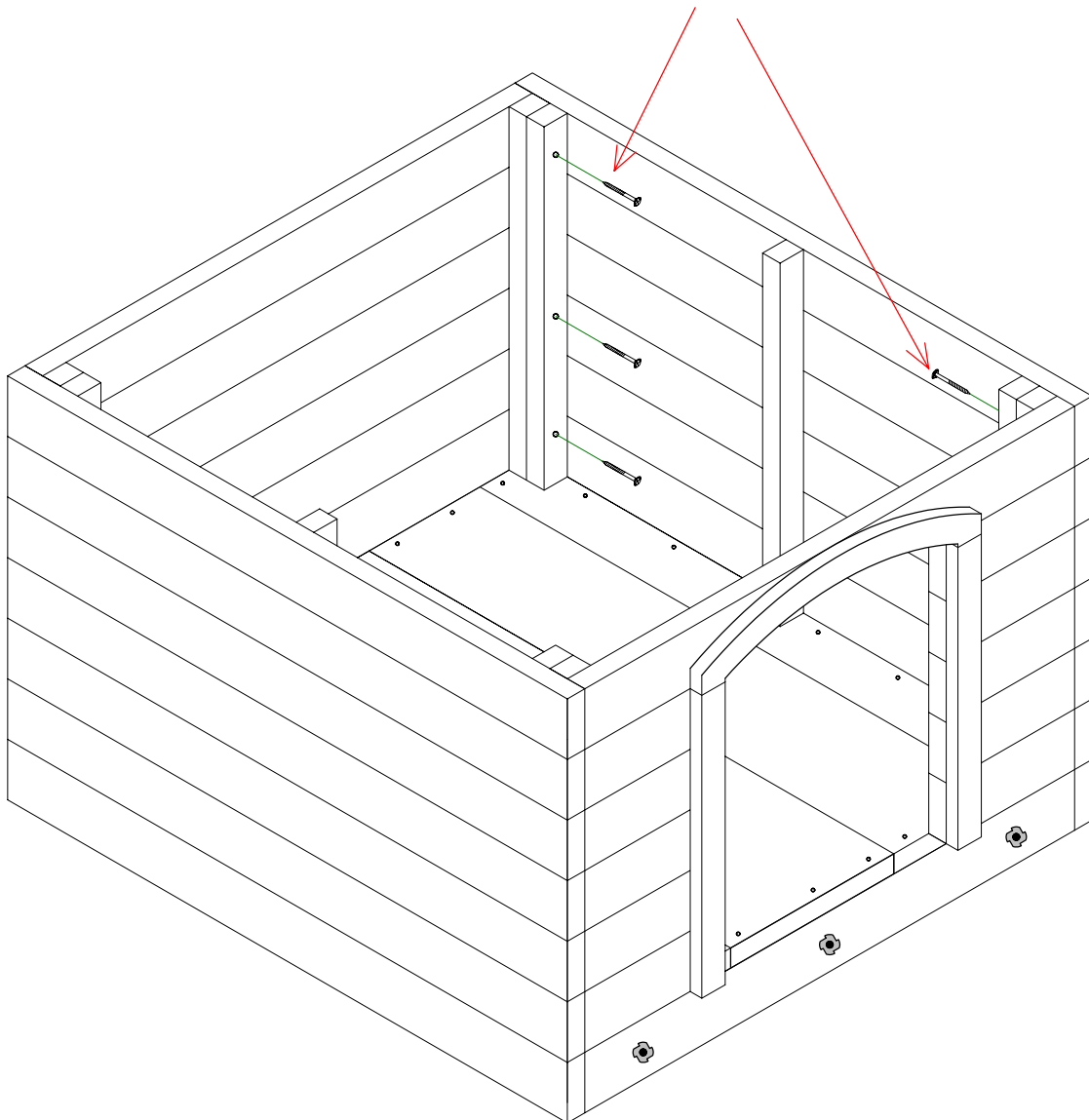
Attach the front to the bottom with 1/4" by 1 1/2" hex head bolts and washers as shown above.

Cedar Cottage Doghouse Plans

Attach Sides

Page 18

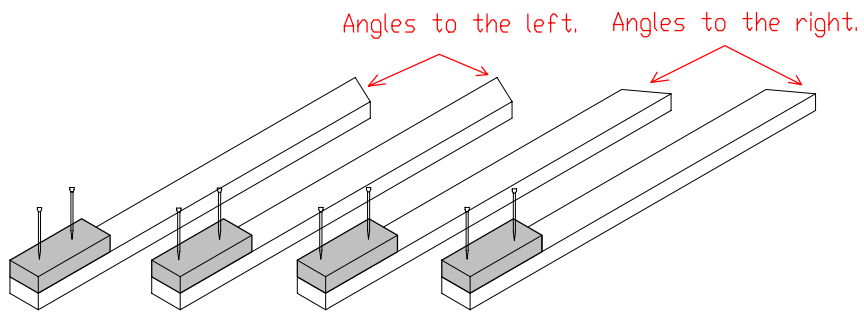
Position the sides in place and secure the corner studs with 1 1/2" wood screws as shown below.



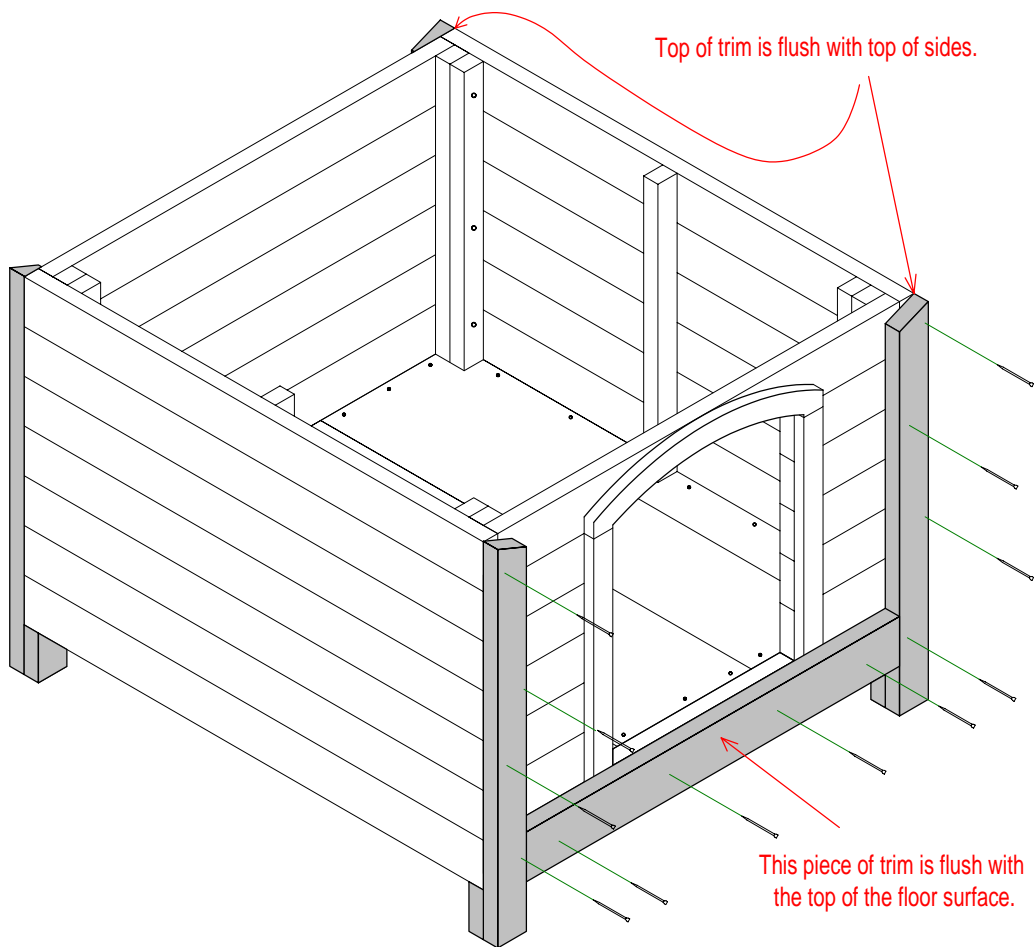
Cedar Cottage Doghouse Plans

Attacg Front & Rear Trim

Page 19



Orient the trim pieces so two have the angles pointing one way and the other two point the opposite way as shown above. Apply glue to mating surfaces and attach the 3" legs to the front & rear trim pieces with 1 1/4" finishing nails.



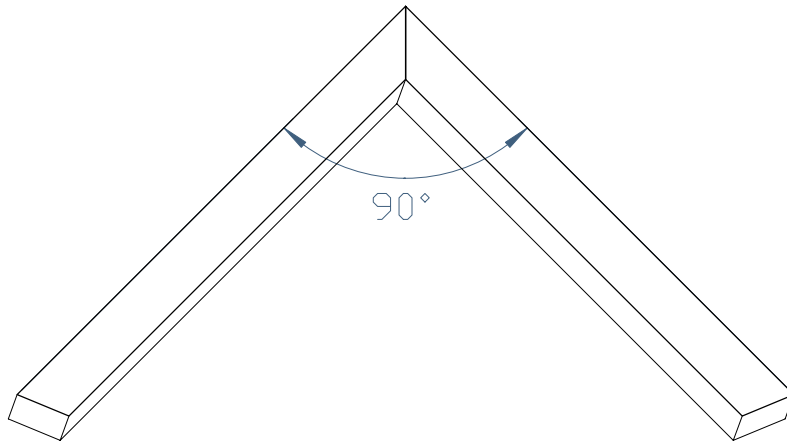
Apply glue to the mating surfaces and attach the front and rear trim with 1 1/4" finishing nails as shown above.

Cedar Cottage Doghouse Plans

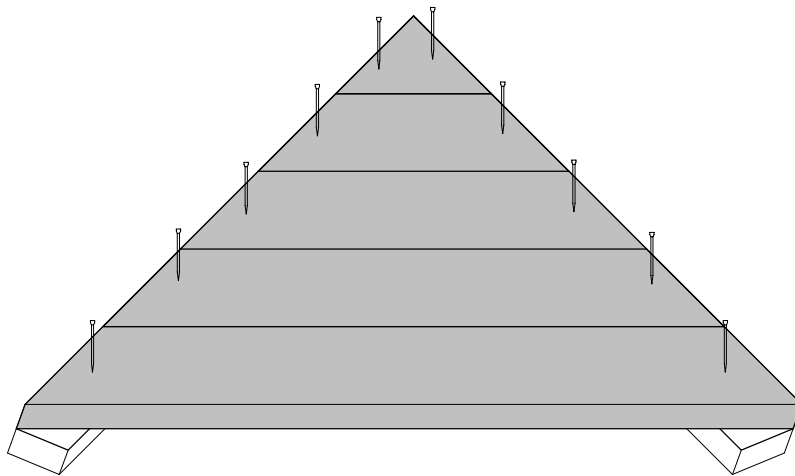
Assemble Front

Page 20

Position two gable trim pieces as shown below with the best looking side facing down. Be sure they form a 90° angle at the top.



In the next step, place the gable boards with the rounded over edges facing down. (The boards are nailed from the back side.)



Apply glue to the mating surfaces and attach the gable boards to the gable trim with 1 1/4" finishing nails. Be sure the gable trim pieces remain square as you attach the boards.

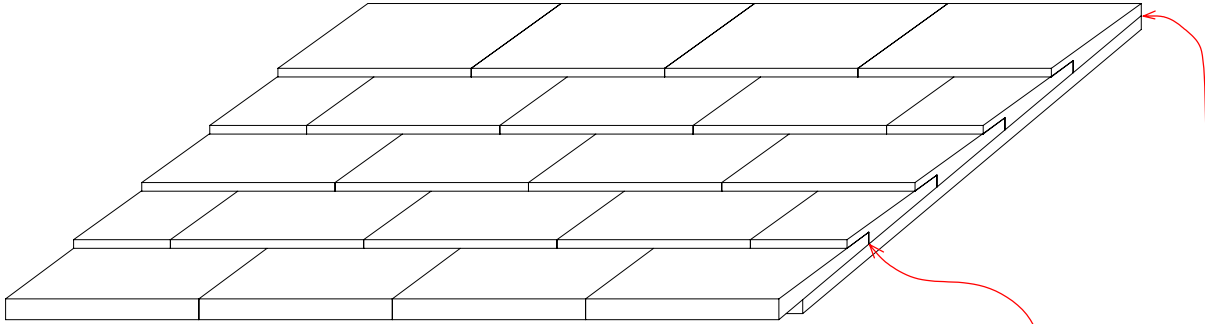
Assemble both gables in the same manner.

Cedar Cottage Doghouse Plans

Attach Shingles

Page 21

Position the shingles on the sub roof as shown below. The top edges of the top shingles should be flush with the top of the sub roof. (The bottom shingles will overlap the sub roof.)



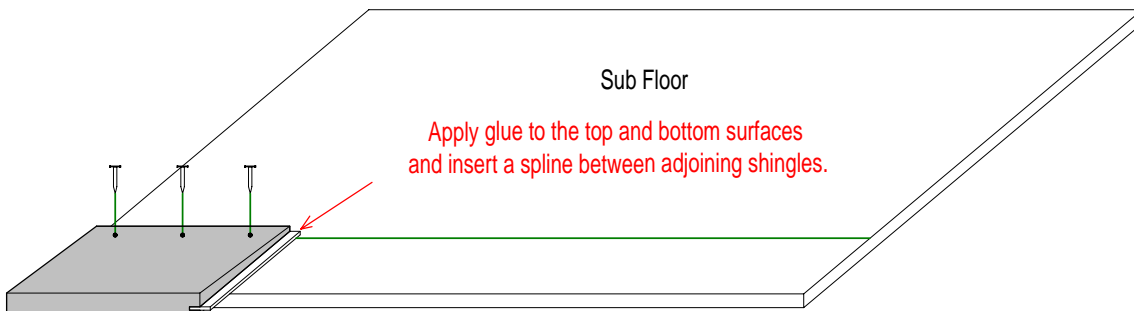
After all shingles are in place, make a mark on the sub roof at the top edge of the bottom shingle. Draw a guide line for the bottom row of shingles using the mark as the distance from the bottom of the sub roof.

Shingles must be flush with the sub roof on top and side edges.

Predrill the nail holes through the shingles with a 1/8" bit.

Apply a 1" wide coating of glue along the bottom of each shingle under the nail holes. Begin with the left bottom shingle and align the top of the shingle along the guide line. Secure the shingles with 7/8" roofing nails.

The remaining rows of shingles will have the overlap notch covering the nails.



The bottom row uses full width shingles with no overlap notch.

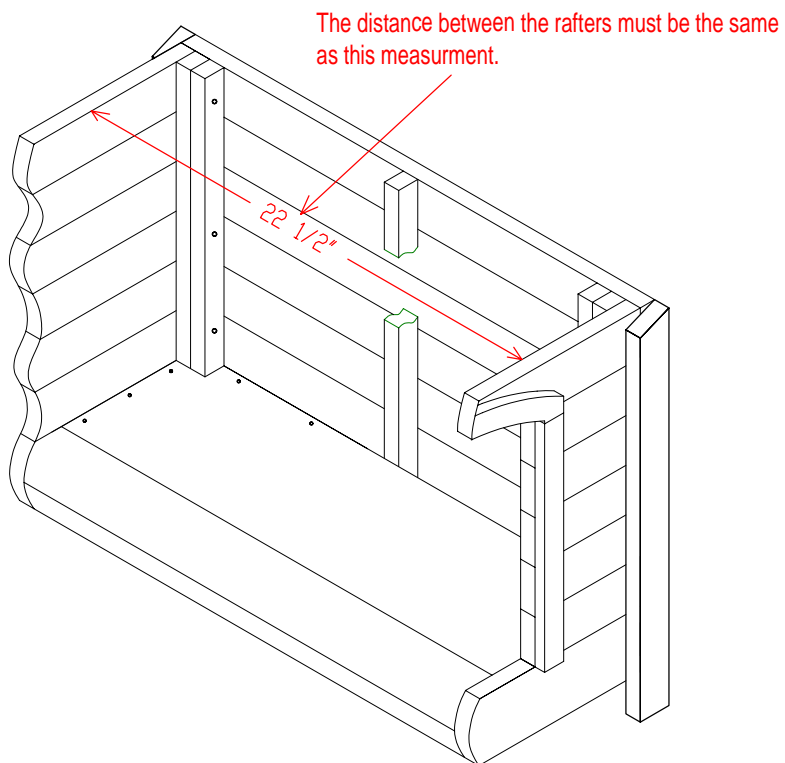
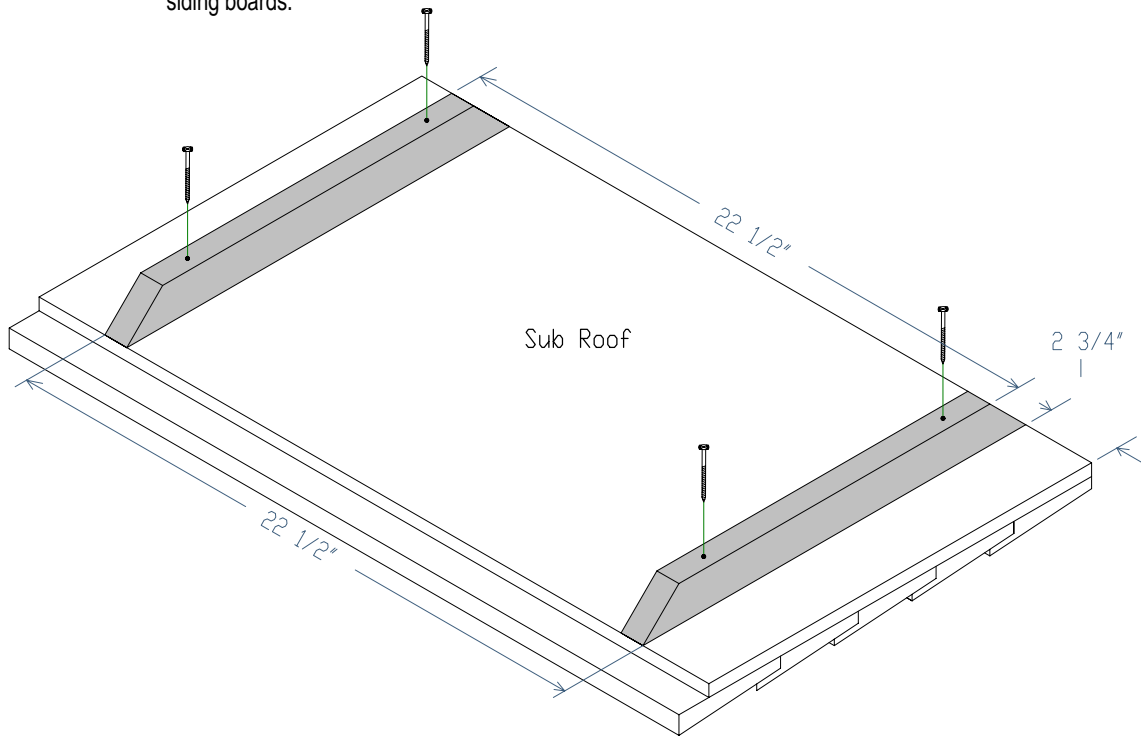
Attach the shingles to the other piece of sub roof in the same way.

Cedar Cottage Doghouse Plans

Attach Rafters

Page 22

Attach the rafters to the under side of the sub roof panels with 2" screws as shown below. The distance between the rafters must be the same as the distance between the inner surfaces of the front and back siding boards.

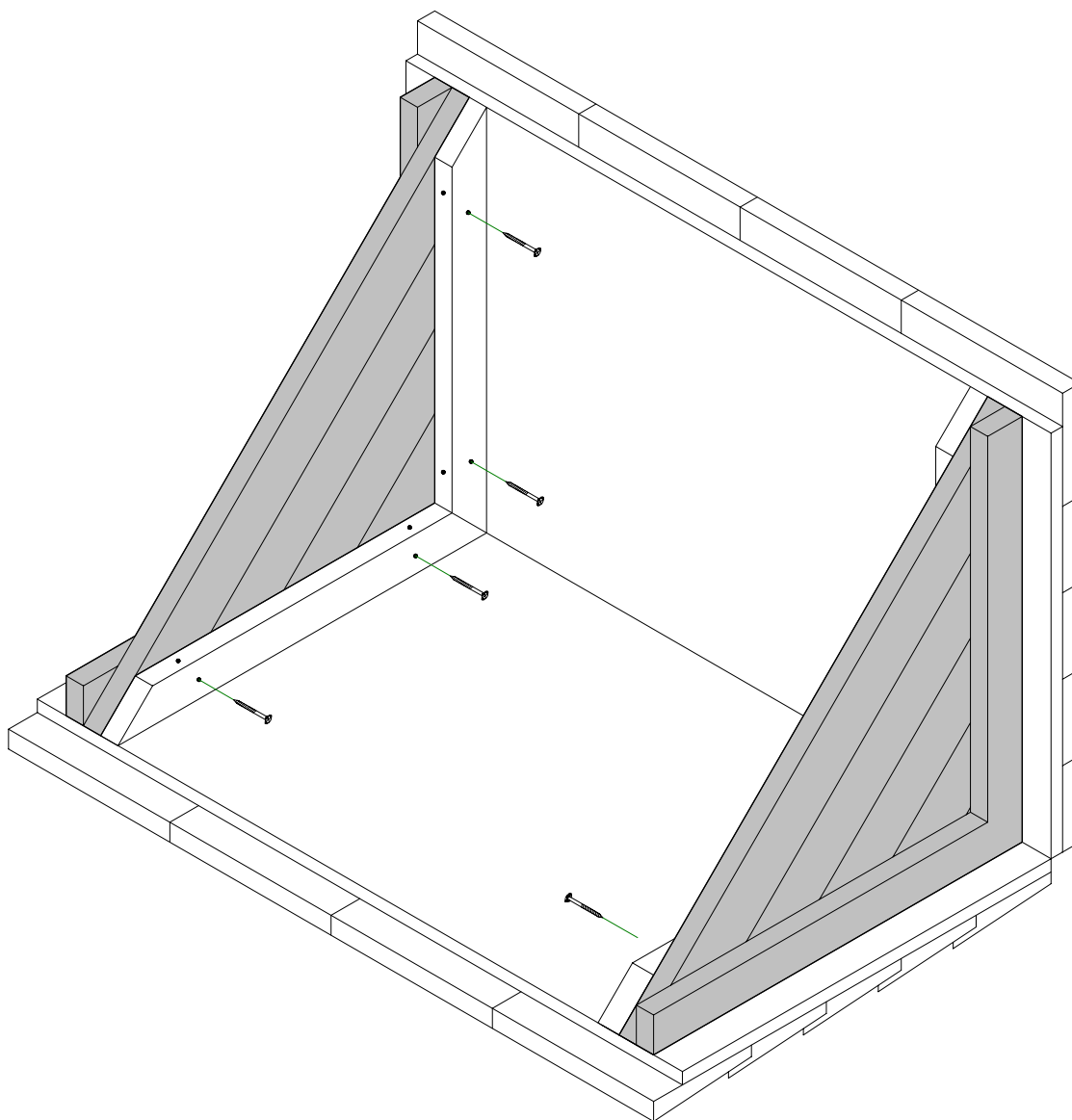


Cedar Cottage Doghouse Plans

Attach Gables

Page 23

Attach the Gables to the rafters with 1 1/2" screws as shown below.

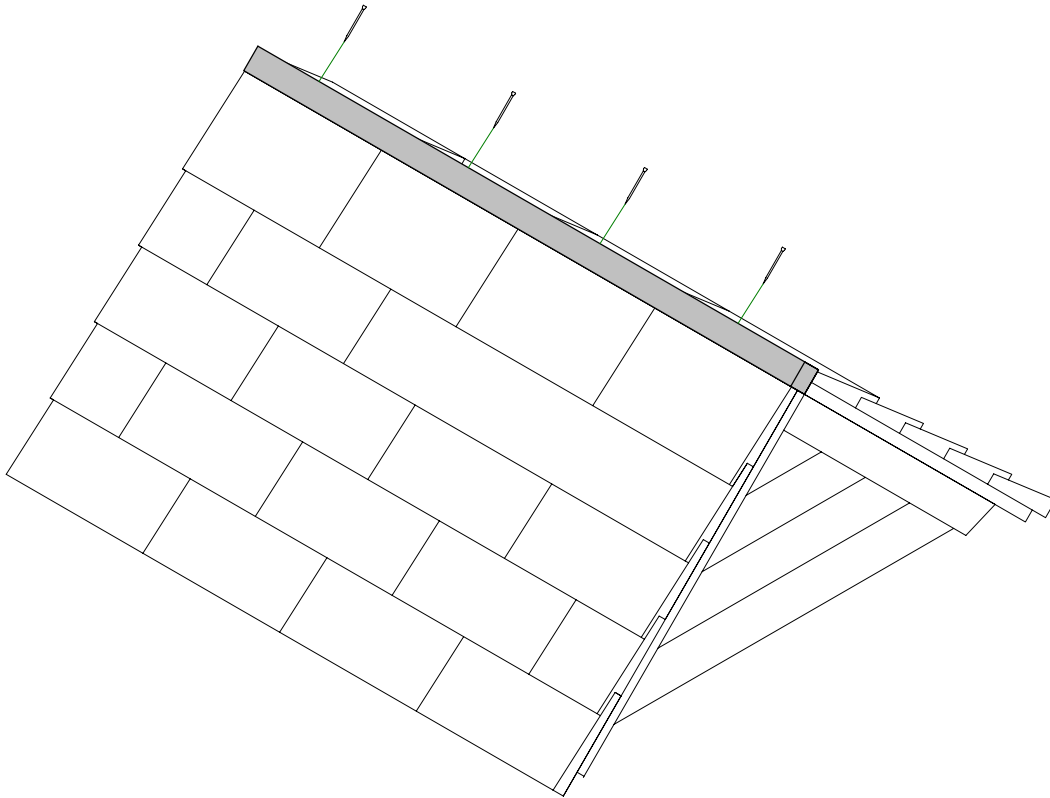


Cedar Cottage Doghouse Plans

Attach Roof Filler Strip

Page 24

Predrill the nail holes, apply glue to mating surfaces and attach the roof filler to the top of the roof as shown below. 1 1/2" finishing nails would be a good choice.

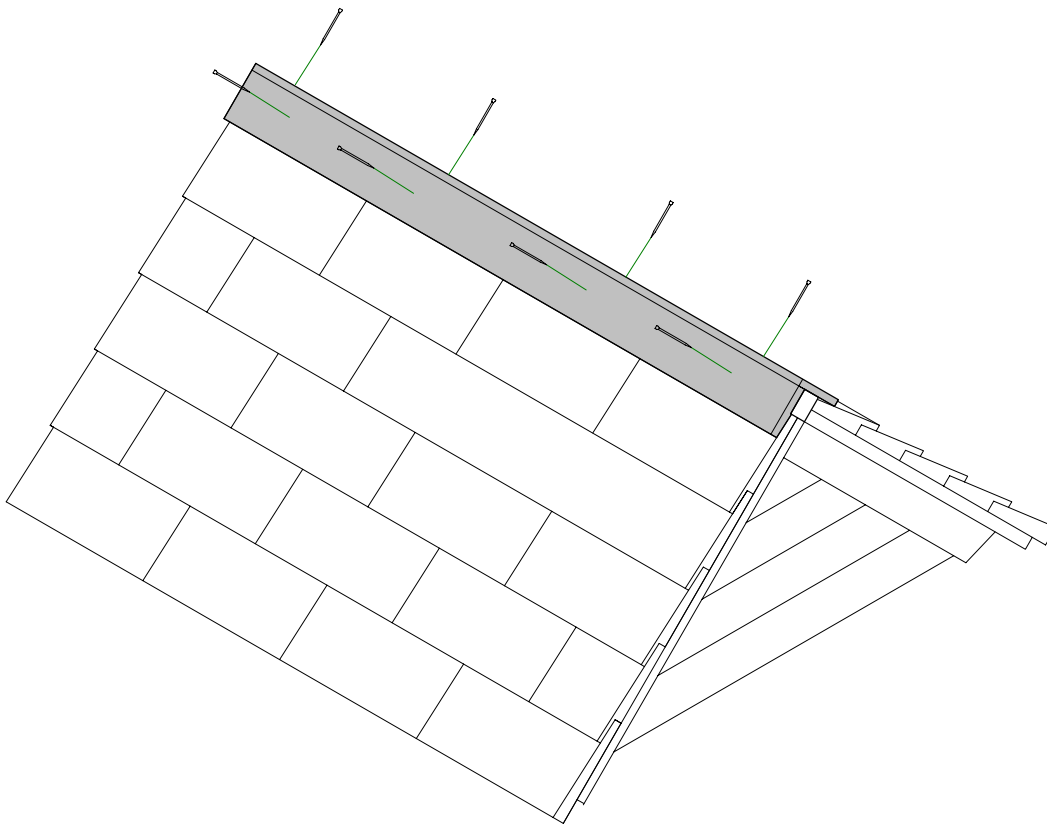


Cedar Cottage Doghouse Plans

Attach Roof Caps

Page 25

Pre-drill the nail holes, apply glue to mating surfaces and attach the Roof Caps to the top of the roof as shown below. 1" finishing nails would be good for this.

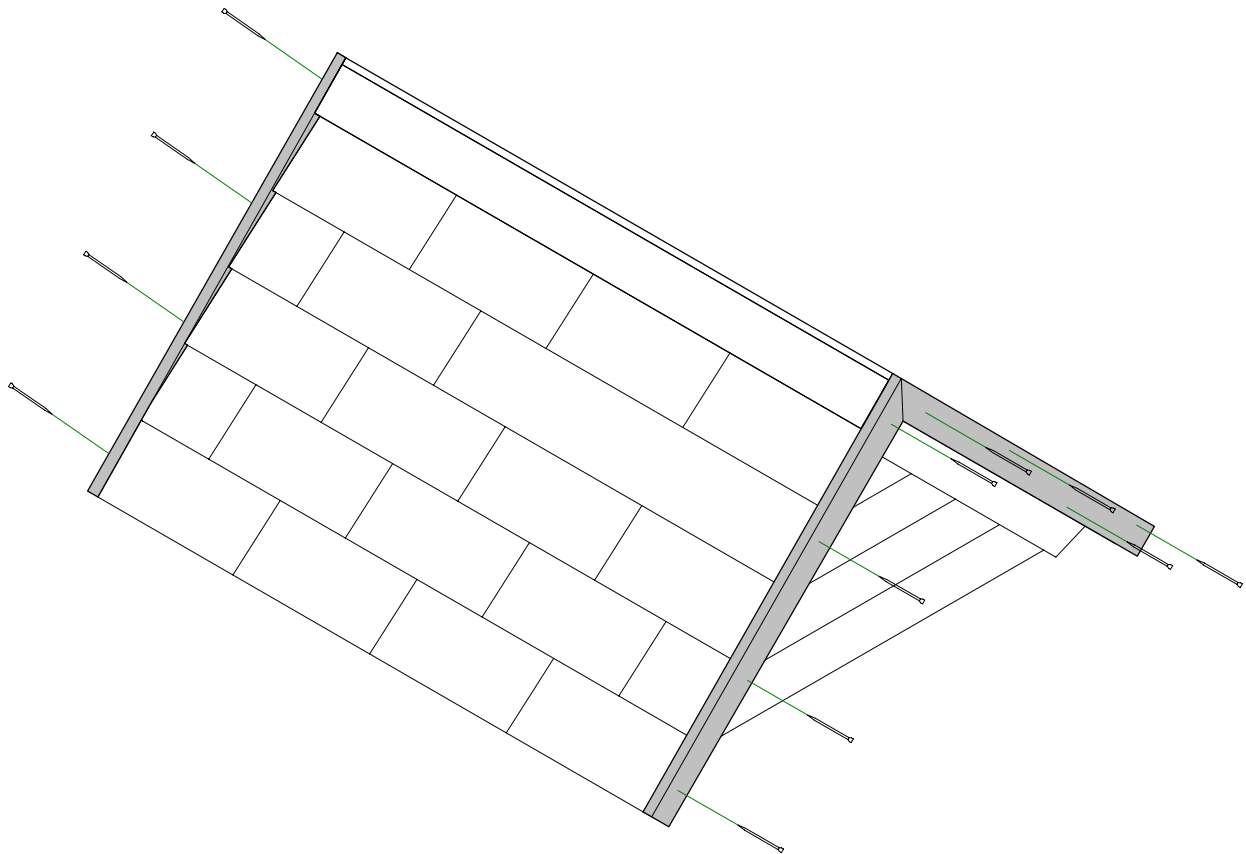


Cedar Cottage Doghouse Plans

Attach Roof Trim

Page 26

Predrill the nail holes, apply glue to mating surfaces and attach the Roof Trim to the top of the roof with 1" finishing nails as shown below.



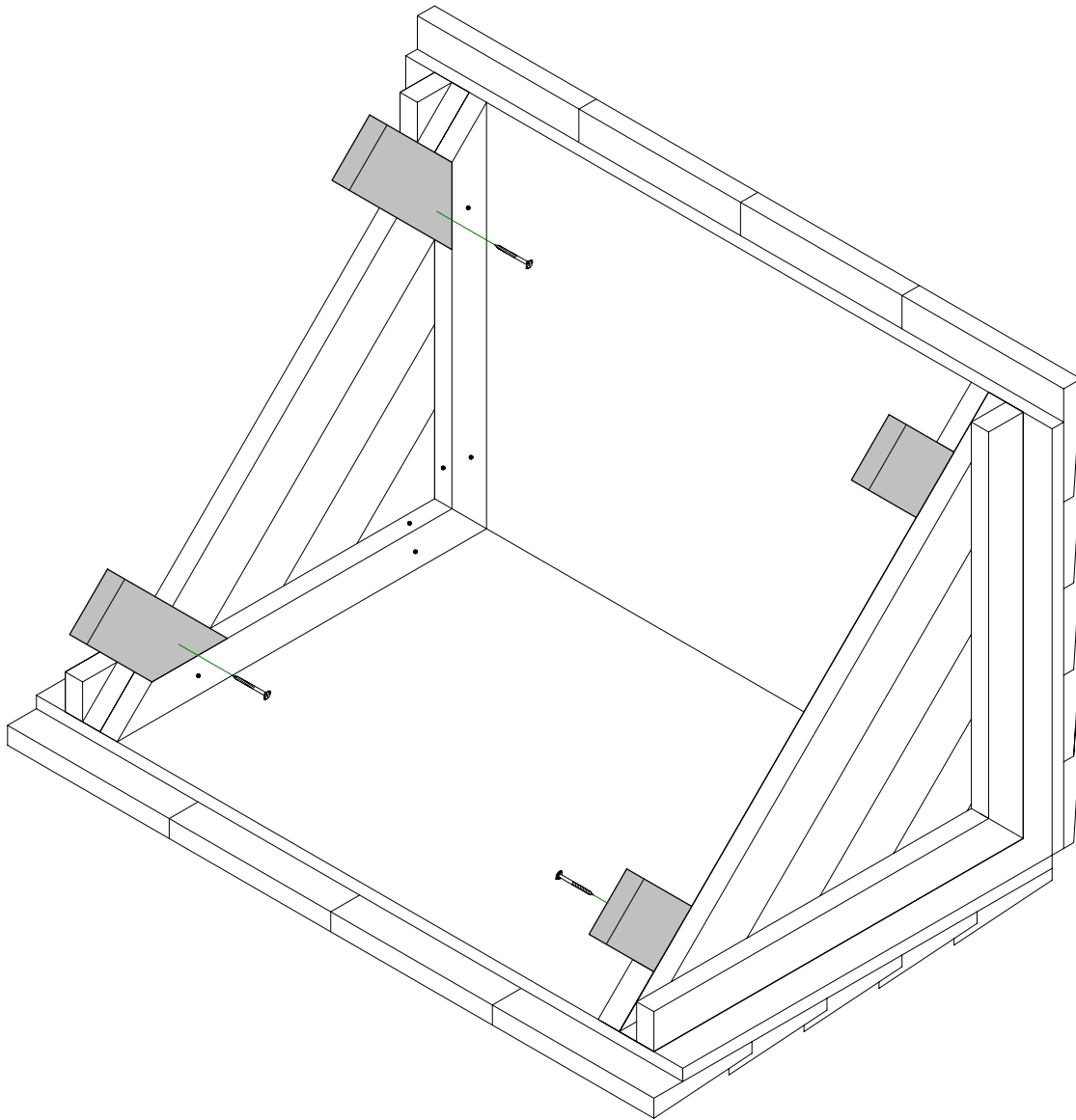
Cedar Cottage Doghouse Plans

Attach Roof Guides

Page 27

Attach the Roof Guides to the Gables with 1 1/4" screws as shown below.

Use 1 1/4" screws. 1 1/2" screws may protrude past the front surface of the siding boards.

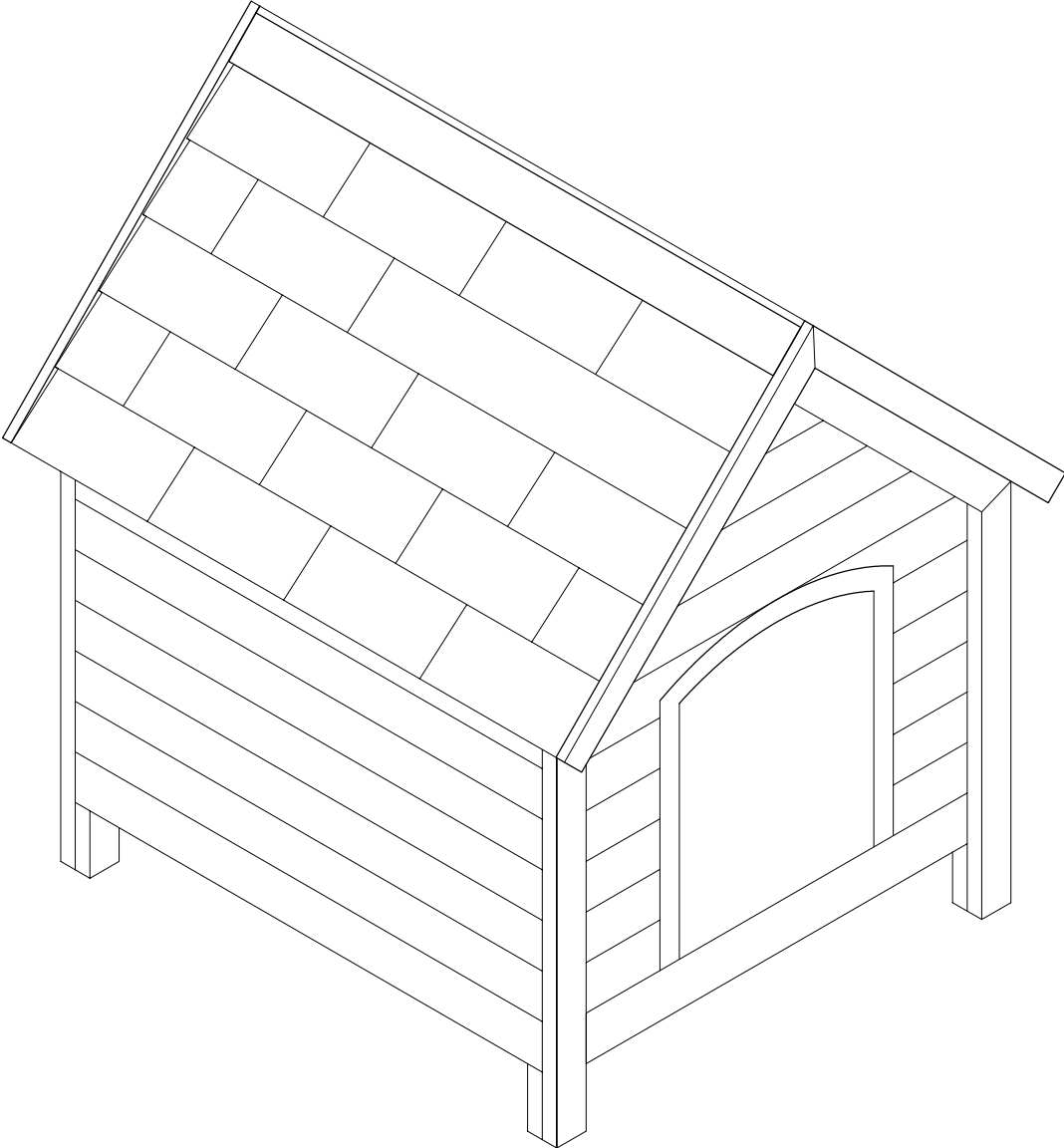


Cedar Cottage Doghouse Plans

Set the Roof in Place

Page 28

Set the assembled roof in place and your dog house is complete.



More Plans from: www.bobsplans.com



Router Table



Workbench



Dog House



Picnic Table



Octagon Table



6 Foot Bar



Corner Desk



Book Case



Mantel Clock



Redwood Planter



Wheelbarrow



Spoke Wheel



Panel Saw



Trellis



Wheelbarrow



Pocket Hole Jig



Tenoning Jig



Table Saw Sled



Drill Press Table